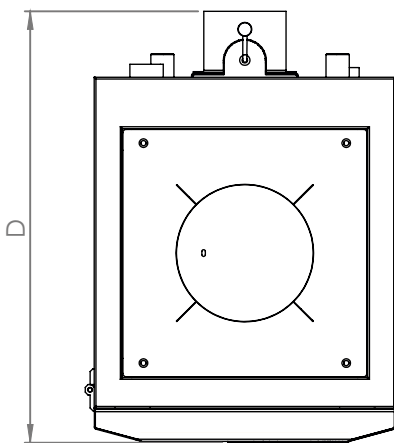
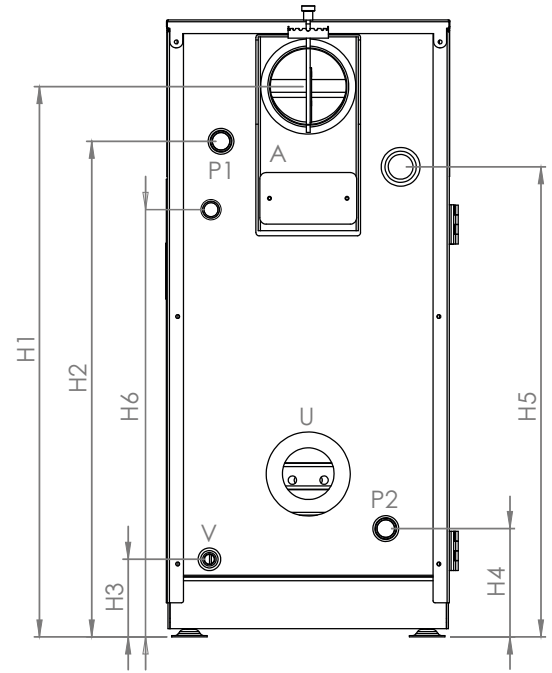
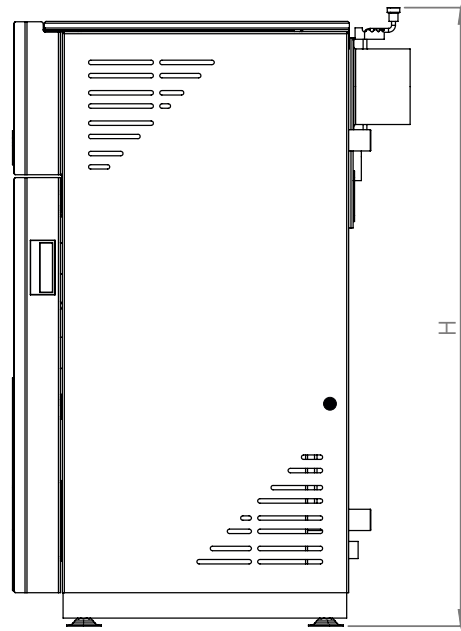
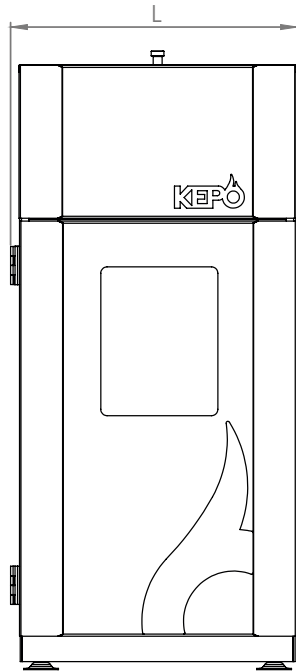


# Keпо Etage Flame Plus - Technical drawing



Component	Unit	Value
Nominal heat output	kW	18
Radiating heat output	kW	4
Heat transferred to water	kW	14
Volume	l	27
Weight	kg	135
Energy efficiency	%	81
Exhaust pipe (A)	mm	Ø120
Drain valve (V)	"	1/2
Starting line (P1)	"	1
Return line (P2)	"	1
Air inlet (U)	mm	Ø80
H1	mm	852
H2	mm	767
H3	mm	120
H4	mm	168
H5	mm	728
H6	mm	706
L	mm	440
H	mm	960
D	mm	655