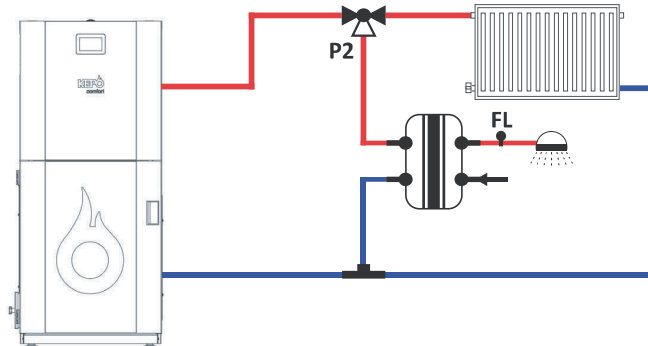
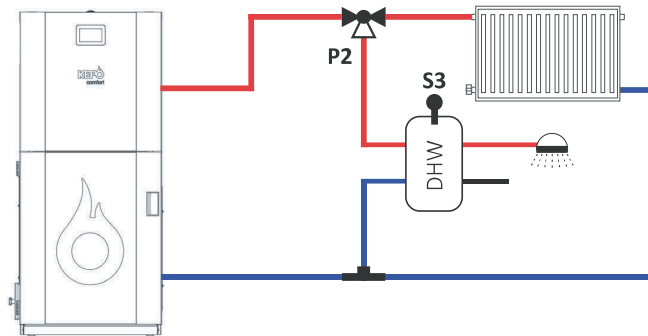


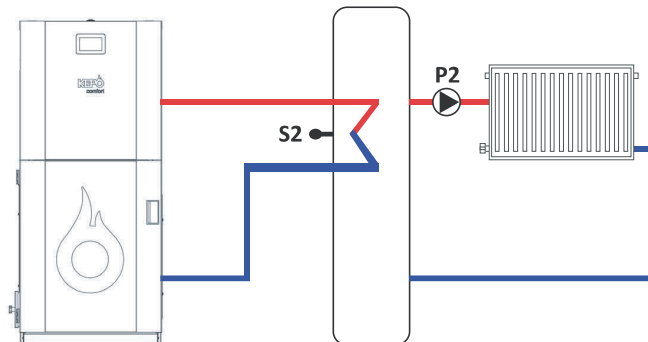
Configuration 0 (P26=0)



Configuration 2 (P26=2)



Configuration 4 (P26=4)



Configuration 7 (P26=7)

